



Product Catalogue

Issue 5



PROFLEX Industrial
By RSP Automotive & Industrial

20-22 Truck City Drive, Campbellfield, Vic 3061, Australia
Ph: +61 3 9305 4000 | Web: www.proflexind.com.au

PROFLEX INDUSTRIAL – INDUSTRY LEADERS AND ARGUABLY AUSTRALIA’S LARGEST SUPPLIER OF MOULDED RUBBER PRODUCTS AND EXTRUSIONS.

PROFLEX Industrial pride ourselves on being one of the most trusted, respected and recognised names in both the Industrial and Automotive industries. We strive to provide our customers with exceptional service, quality and a diversified range of products that you can rely on.

RSP Automotive and Industrial has operated in Australia since 1974. RSP originally started business supplying new and refurbished parts for early model Holdens under the name 'Rare Spares'. In 2024, RSP rebranded its industrial range to PROFLEX Industrial. PROFLEX are a diversified company that specialises in Automotive Restoration, Industrial Rubber products, Pressed Metal products, Automotive OEM products and are the Australasian distributor of internationally recognised brand Codan hose.

PROFLEX's personalised focus to its customer base includes large and immediately accessible stockholding, spanning over 3,000 square metres, and an extensive infrastructure including central warehousing, industry leading logistics and national distribution ensuring that customer delivery expectations are consistently met.

PROFLEX's emphasis on quality and service is benchmarked against worldwide standards, with the company possessing ISO 9001 Quality Managements System certification by SAI Global.



PROFLEX IS A BRAND YOU CAN TRUST! IF YOU CAN'T FIND IT, CONTACT US TODAY!

PROFLEX has successfully sourced and supplied thousands of unique products to both the Industrial and Automotive sectors, ranging from specialised rubber seals to electrical turn signal switches. Our established global supplier base includes plastic, rubber, metal stamping, cable, electrical components, metal casting and filter manufacturing plants.

Our expert sales, product and development team utilises a tailored RFQ (request for quotation) system which ensures all of our customer requirements are met and that they are handled efficiently and effectively with optimal results. If you require a quote or a product to be developed please contact our dynamic sales team on:

03 9305 4000 or email: sales@rsp.net.au



CATALOGUE

This catalogue represents a range of products that at the time of printing are available and correct, however this may change without notice and PROFLEX reserves the right to alter designs and dimensions without notice. All dimensions are approximate measurements and should be used as a guide only. During the course of time we will add new and exciting ranges which will be included in the next edition of our catalogue. For the most up to date information on our range of products please visit www.proflexind.com.au

QUALITY

PROFLEX (RSP Automotive & Industrial) is the only company to comply with the requirements of FMVSS302 (Federal Motor Vehicle Safety Standard) on some pinchwelds as noted throughout the catalogue. PROFLEX's wheel chocks have also been independently tested to the load factors in the SAE J348 (Society of Automotive Engineers) international standard and meet, and in some cases exceed, the required load ratings in the standard.



Automotive Hose



*Please note: PROFLEX reserves the right to alter designs & dimensions without notice. At the time of printing this catalogue, all products are available, however this may change without notice.



Automotive Hose

Fuel Hose	34
Submersible Fuel Hose / R9 Fuel Injection Hose	35
Fuel Hose – Outer Braided / Heater Hose	36
Transmission Cooler Hose / Vacuum & Washer Tubing	37
Radiator Overflow Hose	38
Brake Vacuum Hose	38
Power Steering Return Hose / 90 Degree Hose Bend	39
U-Bend Hose / Z-Shaped Hose	40
Water & Vacuum Caps	41
Straight Hose (Coolant/Fuel)	42
Merchandiser - Hose	43
Merchandiser – Heater and Fuel Hose	44
Packaging and Hose Types	45



For over 30 years the Pongpara Codan name has been synonymous with quality fluid handling systems supplied to the automotive industry. Pongpara Codan has become an approved supplier to leading car manufactures world wide, such as: BMW, Toyota, Volvo, GM/Opel, Nissan, Honda, Mazda and many more. Today, Pongpara Codan is one of the largest producers of our range of products in the ASEAN region and continues to grow steadily through a quality policy of continuous improvement and the use of licenced technology from joint partner Codan Gummi A/S of Denmark.

FUEL HOSE

Codan fuel hose is designed to carry automotive fuel and operates at temperatures ranging from -30 degrees C to +100 degrees C.

The inner tube is made from NBR (Nitrile) with an outer cover of CR (Neoprene).

This hose is suitable for unleaded petrol (up to 98 Octane) and diesel, it is not suitable for ethanol blends of petrol or bio diesel.

The hose is dual spiral wrap reinforced and conforms to SAE 30 R6.

It has a safety factor of 5:1

This hose is not submersible for in tank use.



PART No.	I.D. (mm)	I.D. (inch)	Wall Thickness (mm)	O.D. (mm)	Working Pressure (Bar)	Working Pressure (Mpa)	Bend Radius (mm)	Weight (gm/m)	Length (m)
3111048/7M	4.8	3/16	3	10.8	3.4	0.34	15	110	7
3111048/30M	4.8	3/16	3	10.8	3.4	0.34	15	110	30
3111063/7M	6.3	1/4	3.2	12.7	3.4	0.34	20	140	7
3111063/30M	6.3	1/4	3.2	12.7	3.4	0.34	20	140	30
#3111063/100M	6.3	1/4	3.2	12.7	3.4	0.34	20	140	100
3111079/7M	7.9	5/16	3.4	14.7	3.4	0.34	25	160	7
3111079/30M	7.9	5/16	3.4	14.7	3.4	0.34	25	160	30
3111079/100M	7.9	5/16	3.4	14.7	3.4	0.34	25	160	100
3111095/7M	9.5	3/8	3.6	16.7	3.4	0.34	40	210	7
3111095/30M	9.5	3/8	3.6	16.7	3.4	0.34	40	210	30
3111095/100M	9.5	3/8	3.6	16.7	3.4	0.34	40	210	100
#3111110/7M	11.0	7/16	3.6	18.2	2.4	0.24	45	236	7
#3111110/100M	11.0	7/16	3.6	18.2	2.4	0.24	45	236	100
3111127/7M	12.7	1/2	3.8	20.3	2.4	0.24	50	257	7
3111127/30M	12.7	1/2	3.8	20.3	2.4	0.24	50	257	30

All dimensions in millimetres

#Non Stock Line - Minimum order quantities apply



R10 SUBMERSIBLE FUEL HOSE

Codan R10 Submersible Fuel Hose is specifically designed for in-tank applications where the hose is in constant contact with fuel and other liquid petroleum fuels.

This hose is suitable to handle fuel, alcohol-extended fuel or diesel on the inside and the outside when fully immersed, mobile or stationary for both Automotive and Marine applications.

The inner liner is made from FKM (Viton) which resists gas permeation and retards aging, the inner tube from NBR (Nitrile) with an outer cover of CPE (Chlorinated Polyethylene). This hose conforms to the stringent requirements of SAE J30 R10 SPECIFICATIONS for submersible fuel line hose.

This hose is engineered for constant contact on the inside and outside and is excellent for use on fuel pumps in the gas tank.

Features:

- Aramid Fiber reinforcement offers higher working pressures and increased burst strength
- Maximum temperature rating: +150°C



PART No.	I.D. (mm)	I.D. (inch)	Wall Thickness (mm)	O.D. (mm)	Working Pressure (Bar)	Working Pressure (Mpa)	Bend Radius (mm)	Weight (gm/m)	Length (mm)
ITF391022	7.9	5/16	3.0	14.0	6.9	0.69	25	165	300

R9 FUEL INJECTION HOSE

Codan R9 EFI Fuel Injection Hose is designed to run at higher pressures and temperatures than normal Fuel Injection Hoses.

The inner liner is made of FKM (Viton), the inner tube from NBR (Nitrile) with an outer cover of CSM (Hyperlon).

This hose is suitable for petrol with a maximum E20 rating and diesel with a maximum B10 rating, it is not suitable for fuels above E20 or B10.

The hose conforms to SAE J30 R9.

This hose is not submersible for in tank use.



PART No.	I.D. (mm)	I.D. (inch)	Wall Thickness (mm)	O.D. (mm)	Working Pressure (Bar)	Working Pressure (Mpa)	Bend Radius (mm)	Weight (gm/m)	Length (m)
H533063/7M	6.3	1/4	3.05	12.4	6.9	0.69	20	140	7
H533079/7M	7.9	5/16	3.05	14.0	6.9	0.69	25	155	7
H533095/7M	9.5	3/8	3.15	15.8	6.9	0.69	40	205	7
#H533127/7M	12.7	1/2	3.20	19.1	6.9	0.69	50	250	7

FUEL HOSE - OUTER BRAIDED



Codan Braided Fuel Hose is designed for use on many European vehicles and motor cycles.

The tube is manufactured from a nitrile based rubber and it is encased in an outer braiding of non-conductive black cotton. It is resistant to oil and petrol. This hose is manufactured to DIN 73379 TYPE B Spec.



PART No.	I.D. (mm)	I.D. (inch)	Wall Thickness (mm)	O.D. (mm)	Working Pressure (Bar)	Working Pressure (Mpa)	Bend Radius (mm)	Weight (gm/m)	Length (m)
#506055/15M	5.5	7/32	2.5	10.5	10	1.0	20	94	15
#506075/15M	7.5	9/32	2.5	12.5	9	0.9	30	114	15
#506095/15M	9.5	3/8	2.5	14.5	6	0.6	40	135	15

HEATER HOSE

Codan Heater Hose has been specially developed for vehicle coolant systems and has a safety factor of 3:1. It is suitable for use over a temperature range of -40 degrees C. to +100 degrees C.

The hose is manufactured from a rubber and EPDM blend and is twin braided spiral wrap reinforced, conforming to SAE 20 R3. It is weather resistant and impervious to coolant system additives.

It is not suitable for use with petrochemical products.



PART No.	I.D. (mm)	I.D. (inch)	Wall Thickness (mm)	O.D. (mm)	Working Pressure (Bar)	Working Pressure (Mpa)	Bend Radius (mm)	Weight (gm/m)	Length (m)
#4801050/30M	5	13/64	3.2	11.5	10	1.0	29.0	110	30
4801080/30M	8	5/16	3.0	14.0	10	1.0	40	200	30
4801095/25M	9.5	3/8	3.75	17.0	10	1.0	50	220	25
#4801095/50M	9.5	3/8	3.75	17.0	10	1.0	50	220	50
#4801095/100M	9.5	3/8	3.75	17.0	10	1.0	50	220	100
4801127/15M	12.7	1/2	3.4	19.5	10	1.0	50	240	15
#4801127/50M	12.7	1/2	3.4	19.5	10	1.0	50	240	50
4801127/100M	12.7	1/2	3.4	19.5	10	1.0	50	240	100
4801160/15M	16	5/8	3.4	22.8	10	1.0	80	290	15
4801160/50M	16	5/8	3.4	22.8	10	1.0	80	290	50
4801160/100M	16	5/8	3.4	22.8	10	1.0	80	290	100
4801191/15M	19	3/4	3.6	26.3	10	1.0	100	360	15

TRANSMISSION COOLER HOSE



Codan Transmission Cooler Hose is suitable for use with modern automatic transmissions.

It is manufactured with a nitrile inner, reinforced with polyester and covered by a neoprene outer that is resistant to oil, fuel and heat. It can withstand temperatures ranging from -40 degrees C to +135 degrees C.

This hose is manufactured to SAE 30 R6 Spec.



PART No.	I.D. (mm)	I.D. (inch)	Wall Thickness (mm)	O.D. (mm)	Working Pressure (Bar)	Working Pressure (Mpa)	Bend Radius (mm)	Weight (gm/m)	Length (m)
311T079/7M	7.9	5/16	3.4	14.7	3.4	0.34	25	160	7
311T079/30M	7.9	5/16	3.4	14.7	3.4	0.34	25	160	30
#311T079/100M	7.9	5/16	3.4	14.7	3.4	0.34	25	160	100
311T095/7M	9.5	3/8	3.6	16.7	3.4	0.34	40	210	7
311T095/30M	9.5	3/8	3.6	16.7	3.4	0.34	40	210	30
#311T095/100M	9.5	3/8	3.6	16.7	3.4	0.34	40	210	100

VACUUM & WASHER TUBING

Codan Vacuum and Washer Tubing is designed for use in windscreen washer systems and vacuum operated controls. It is manufactured from EPDM rubber and will withstand the pressure exerted by windscreen washer systems and control system vacuum. It is heat and weather resistant.

This hose is manufactured to SAE-J-200 Spec.



PART No.	I.D. (mm)	I.D. (inch)	Wall Thickness (mm)	O.D. (mm)	Length (m)
3300025/15M	2.5	7/64	2	6.5	15
3300030/15M	3	1/8	2	7	15
3300040/15M	4	5/32	2	8	15
3300045/15M	4.5	11/64	2	8.5	15
3300055/15M	5.5	7/32	2	10	15
3300063/15M	6.3	1/4	2	10.5	15

RADIATOR OVERFLOW HOSE



Codan Radiator Overflow Tubing is suitable for radiator overflow and header tank applications.

It is manufactured from EPDM rubber and will with stand radiator temperatures and pressures as well as vacuum. It is weather and radiator additive resistant.



PART No.	I.D. (mm)	I.D. (inch)	Wall Thickness (mm)	O.D. (mm)	Length (m)
3300079/15M	8	5/16	2	12	15
3300095/15M	10	3/8	2	14	15

BRAKE VACUUM HOSE

Codan Brake Vacuum Hose is designed to transmit manifold vacuum in automotive power assisted braking systems. It is manufactured from neoprene and reinforced with rayon.

Manufactured to SAE J 1403 it is resistant to oil, petrol, heat and weather.



PART No.	I.D. (mm)	I.D. (inch)	Wall Thickness (mm)	O.D. (mm)	Vacuum tested to	Bend Radius (mm)	Weight (gm/m)	Length (m)
4205095/7M	8.7	11/32	4	17.5	87%	30	252	7
4205095/30M	8.7	11/32	4	17.5	87%	30	252	30
4205120/7M	12.5	1/2	4	20	87%	30	299	7
#4205120/30M	12.5	1/2	4	20	87%	30	299	30



POWER STEERING RETURN HOSE

Codan Power Steering Return Hose is designed specifically as low pressure side return hose for vehicle power steering systems.

It is manufactured with a nitrile inner, reinforced with polyester and covered by a neoprene outer that is resistant to oil, fuel and heat.

Operating temperature range is -40 degrees C to +121 degrees C with a safety factor of 4:1. This hose is manufactured to SAE J 189 Spec.



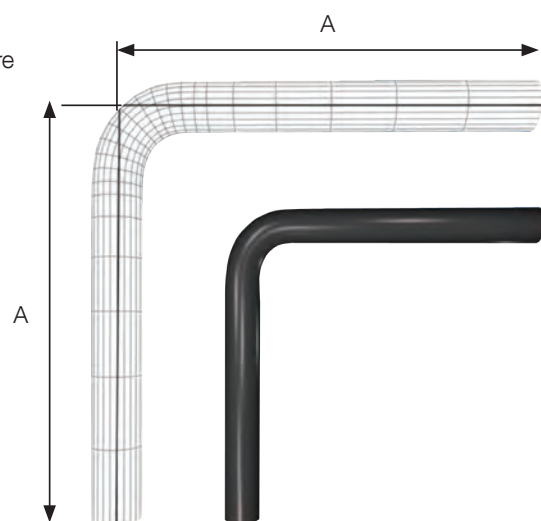
PART No.	I.D. (mm)	I.D. (inch)	Wall Thickness (mm)	O.D. (mm)	Working Pressure (Bar)	Working Pressure (Mpa)	Bend Radius (mm)	Weight (gm/m)	Length (m)
5130079/7M	7.9	5/16	4	16	17.2	1.72	25	224	7
#5130079/30M	7.9	5/16	4	16	17.2	1.72	25	224	30
5130100/7M	10	3/8	4	16	17.2	1.72	40	242	7
#5130100/30M	10	3/8	4	16	17.2	1.72	40	242	30

90 DEGREE HOSE BEND

These 90 degree Universal Hose Bends are available in the most popular sizes.

Manufactured to Codan's high standards these hose bends are suitable for an array of automotive and industrial uses.

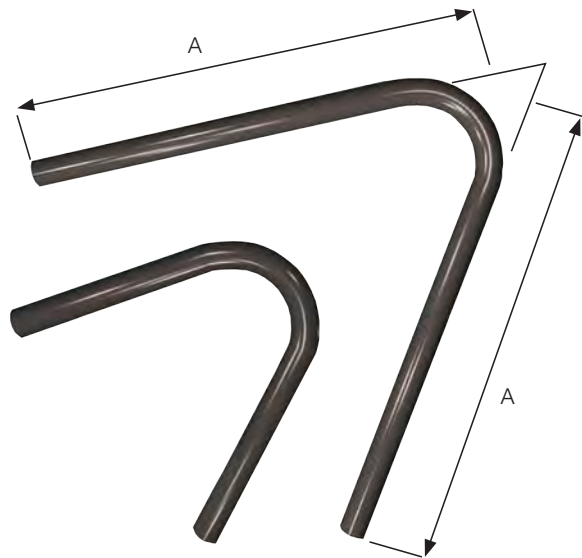
PART No.	I.D. (mm)	A (mm)
PCHNB9	9.45	190
PCHNB13	12.7	190
PCHNB16	15.9	190
PCHNB19	19.05	190
PCHNB22	22.25	190
PCHNB25	25.4	190
PCHNB32	31.8	190
PCHNB35	34.95	190
PCHNB38	38.1	190



U BEND HOSE

These U Bend hoses are manufactured to Codan's high standards and are suitable for an array of automotive and industrial uses. They are intended for use with petroleum products only.

PART No.	I.D. (mm)	A (mm)
PCHUB8	8	260
PCHUB10	10	260



Z SHAPED HOSE

Codan's range of Z shaped hose is one of the most extensive available. These hoses can be configured into the various forms demanded by today's complicated and cramped engine bays. They can also be used in many industrial applications. These hoses should only be used with liquids specified.

PART No.	Type	I.D. (mm)
HHZ6	Water	6
HHZ8	Water	8
HHZ10	Water	10
HHZ12	Water	12
HHZ16	Water	16
HFEZ6	Fuel Vapour / Vacuum / Vent	6
HFEZ8	Fuel Vapour / Vacuum / Vent	8
HFEZ10	Fuel Vapour / Vacuum / Vent	10
HFEZ12	Fuel Vapour / Vacuum / Vent	12
HFZ6	Fuel (not EFI)	6
HFZ8	Fuel (not EFI)	8
HFZ10	Fuel (not EFI)	10
HFZ12	Fuel (not EFI)	12



WATER & VACUUM CAPS

Automotive Hose

PART No.	Description	UOM
RBP-18	Vacuum Cap 1/8" I.D.	Each
RBP-316	Vacuum Cap 3/16" I.D.	Each
RBP-14	Vacuum Cap 1/4" I.D.	Each
RBP-516	Vacuum Cap 5/16" I.D.	Each
RBP-12	Water Cap 1/2" I.D.	Each
RBP-38	Water Cap 3/8" I.D.	Each
RBP-58	Water Cap 5/8" I.D.	Each
RBP-34	Water Cap 3/4" I.D.	Each
VC18	Vacuum Cap Kit 1/8" I.D.	Pack of 4
VC316	Vacuum Cap Kit 3/16" I.D.	Pack of 4
VC14	Vacuum Cap Kit 1/4" I.D.	Pack of 4
VC516	Vacuum Cap Kit 5/16" I.D.	Pack of 4



PART No.	Description	UOM
WC12	Water Cap Kit 1/2" I.D.	Pack of 2 with 2 clamps
WC12A	Water Cap Kit 1/2" I.D.	Pack of 1 with 1 Clamp
WC12B	Water Cap Kit 1/2" I.D.	Pack of 2
WC34	Water Cap Kit 3/8" I.D.	Pack of 2 with 2 clamps
WC34A	Water Cap Kit 3/4" I.D.	Pack of 1 with 1 Clamp
WC34B	Water Cap Kit 3/4" I.D.	Pack of 2
WC38	Water Cap Kit 3/8" I.D.	Pack of 2 with 2 clamps
WC38B	Water Cap Kit 3/8" I.D.	Pack of 2
WC58	Water Cap Kit 5/8" I.D.	Pack of 2 with 2 clamps
WC58A	Water Cap Kit 5/8" I.D.	Pack of 1 with 1 Clamp
WC58B	Water Cap Kit 5/8" I.D.	Pack of 2



All dimensions in millimetres #Non Stock Line - Minimum order quantities apply

STRAIGHT HOSE

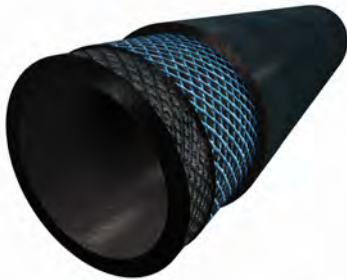
Codan Straight Hose is manufactured from high quality rubber and has many automotive and industrial applications.

COOLANT

Codan Coolant Hose has been specially developed for vehicle coolant systems and has a safety factor of 3:1. It is suitable for use over a temperature range of -40 degrees C to +100 degrees C.

The hose is manufactured from a rubber and EPDM blend and is twin braided spiral wrap reinforced, conforming to SAE 20 R3. It is weather resistant and impervious to coolant system additives.

It is not suitable for use with petrochemical products.



PART No.	I.D. (mm)	Length (m)
SRH16	16	1
SRH22	22	1
SRH25	25	1
SRH28	28	1
SRH32	32	1
SRH35	35	1
SRH38	38	1
SRH42	42	1
SRH45	45	1
SRH50	50	1
SRH54	54	1
SRH57	57	1
#SRH60	60	1
SRH63	63	1
SRH70	70	1
SRH76	76	1
#SRH83	83	1
#SRH89	89	1

FUEL

Codan fuel hose is designed to carry automotive fuel and operates at temperatures ranging from -30 degrees C to +100 degrees C.

The inner tube is made from NBR (Nitrile) with an outer cover of CR (Neoprene).

This hose is suitable for Unleaded Petrol (up to 98 Octane) and Diesel, it is not suitable for Ethanol Blends of petrol or Bio Diesel.

The hose is dual spiral wrap reinforced and conforms to SAE 30 R6.

It has a safety factor of 5:1.

This hose is not submersible for in tank use.



PART No.	I.D. (mm)	Length (m)
SOH16	16	1
SOH22	22	1
SOH25	25	1
SOH28	28	1
SOH32	32	1
SOH35	35	1
SOH38	38	1
SOH42	42	1
SOH45	45	1
SOH50	50	1
SOH54	54	1
SOH57	57	1
SOH60	60	1
SOH63	63	1
SOH70	70	1
#SOH76	76	1
SOH83	83	1

Ideal for:

- Truck
- 4x4
- Tractor
- Car
- Boat
- Bus

MERCHANDISER - HOSE



This Merchandiser is designed to increase your sales of hose product. It is a robustly made powder coated steel cabinet. It is designed to hold 12 spools of hose and can be either displayed as a free standing unit or mounted to the wall. Among its many features are metric and imperial measuring scales, front loading of stock and bold marking of hose type and sizing.



FEATURES

- Fully Powder Coated Steel Cabinet
- Holds 12 Spools of Product
- Can Contain up to 8 Different Types of Hose
- Wall Mountable or Free Standing

PART NO. PCH001-G

Merchandiser Included

Qty	Pack	Part No.	Description	I.D. (mm)	I.D. (inch)	Length (m)
1	Spool	4205095/7M	Brake Vacuum	9.5	11/32	7
1	Spool	311T079/7M	Transmission Cooler	7.9	5/16	7
1	Spool	3111048/7M	Fuel	4.8	3/16	7
1	Spool	3111063/7M	Fuel	6.3	1/4	7
1	Spool	3111079/7M	Fuel	7.9	5/16	7
1	Spool	3111095/7M	Fuel	9.5	3/8	7
1	Spool	3300025/15M	Vacuum & Washer	2.5	7/64	15
1	Spool	3300030/15M	Vacuum & Washer	3	1/8	15
1	Spool	3300040/15M	Vacuum & Washer	4	5/32	15
1	Spool	3300055/15M	Vacuum & Washer	5.5	7/32	15
1	Spool	3300063/15M	Vacuum & Washer	6.3	1/4	15
1	Spool	H533079/7M	Fuel Injection Hose	7.9	5/16	7

* See pages 34, 35, 37 & 38 for full hose specifications.

MERCHANDISER - HEATER AND FUEL HOSE

FEATURES

- Metric & Imperial Measuring Scale
- Holds 3 Boxes
- Bold Marking of Hose Type & Size

HEATER HOSE

PART NO. PCH002-G Merchandiser Included

Qty	Pack	Part No.	I.D. (mm)	I.D. (inch)	Length (m)
2	Box	4801127/15M	12.7	1/2	15
2	Box	4801160/15M	16	5/8	15
2	Box	4801191/15M	19	3/4	15

*See page 36 for full hose specifications.

FUEL HOSE

PART NO. PCF002-G Merchandiser Included

Qty	Pack	Part No.	I.D. (mm)	I.D. (inch)	Length (m)
2	Box	3111063/30M	6.3	1/4	30
2	Box	3111079/30M	7.9	5/16	30
2	Box	3111095/30M	9.5	3/8	30

* See page 34 for full hose specifications.



PACKAGING TYPES



MERCHANDISER SPOOLS



BULK SPOOLS



ROLLED HOSES



MERCHANDISER BOXES

HOSE TYPES

Description	Merchandiser Boxes	Merchandiser Spools	Bulk Spools	Rolled Hose
Fuel Hose	X	X	X	
Fuel Injection Hose	X	X		
Transmission Cooler Hose	X	X	X	
Power Steering Hose	X	X		
Heater Hose	X		X	X
Vacuum and Washer Tubing		X		
Radiator Overflow Tubing		X		
Radiator Overflow Hose	X	X		
LPG Injection Hose	X			
LPG Vapour Hose				X
Brake Vacuum Hose	X	X		
PVC Tubing Fuel Resistant				

ALSO AVAILABLE:

90 Degree Hose Bend, U Bend Hose, Straight Hose, Z Shaped Hose & Water Caps

